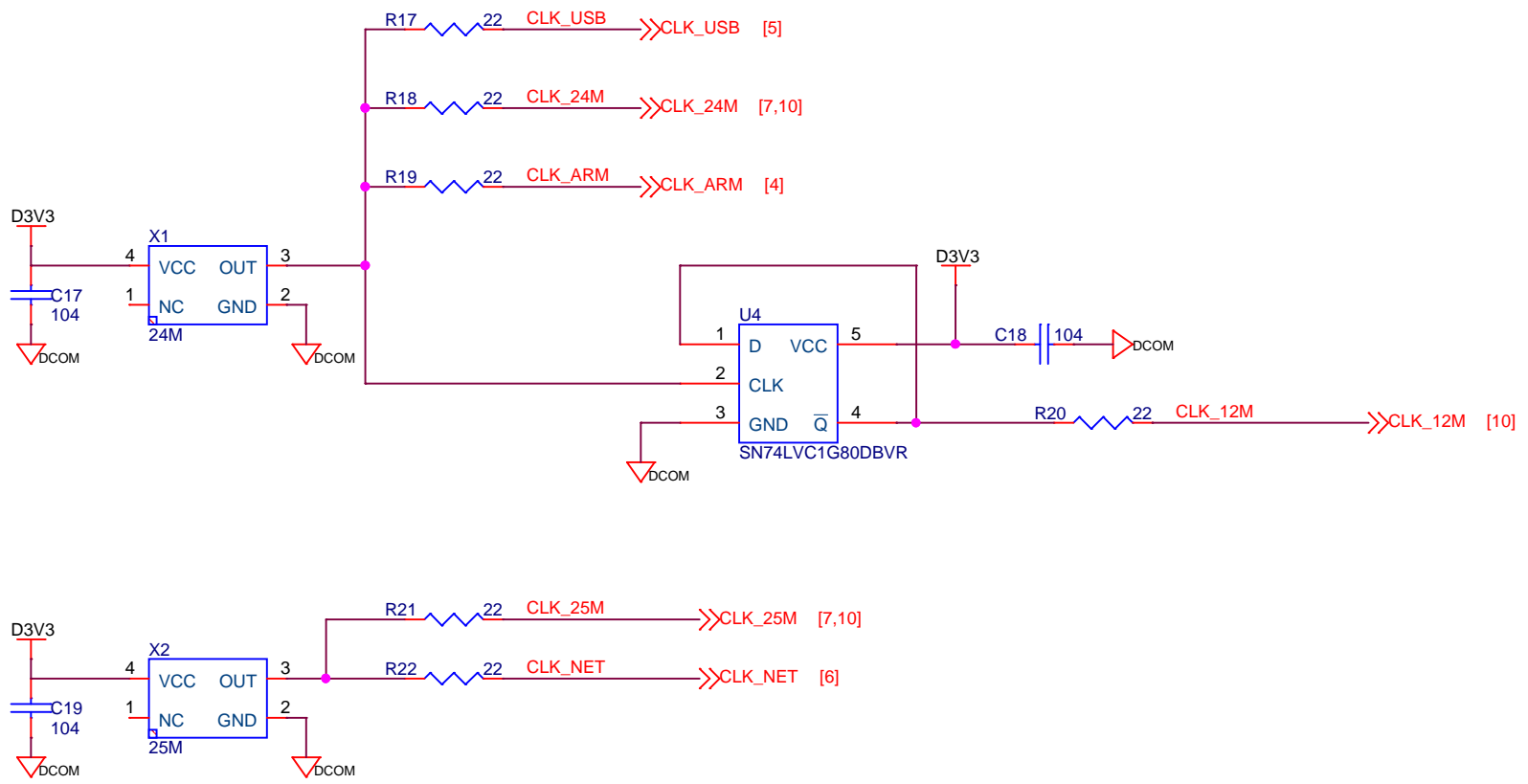
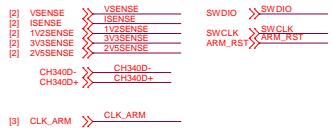


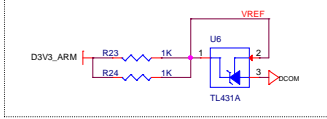
GINGKO Technology Co.,Ltd.		
Title iCore3 Nano		
Size Custom1_Power	Document Number	Rev 0
Date: Tuesday, November 23, 2021	Sheet 2	of 10



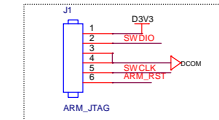
GINGKO Technology Co.,Ltd.		
Title iCore3 Nano		
Size A	Document Number 2_CLOCK	Rev 0
Date: Tuesday, September 28, 2021		
Sheet		3 of 10



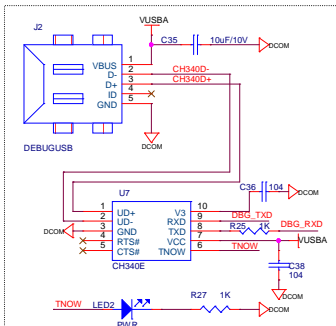
Voltage Reference



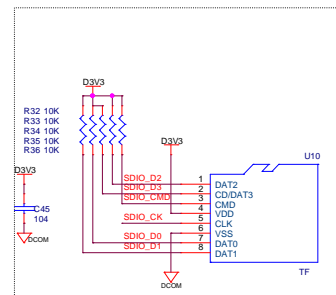
ARM Debug



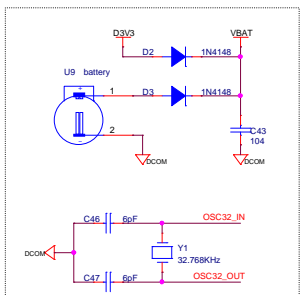
Debug UART



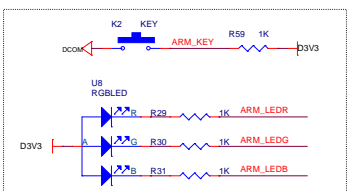
TF Card



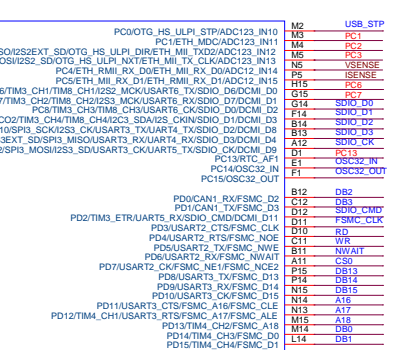
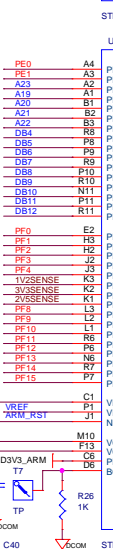
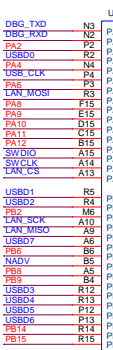
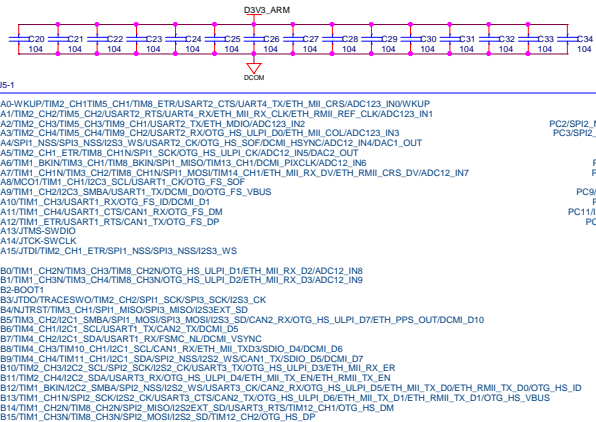
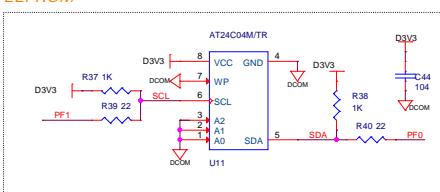
RTC



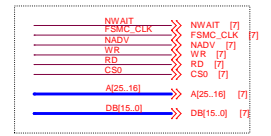
KEY & LED



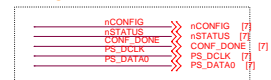
EEPROM



FSMC



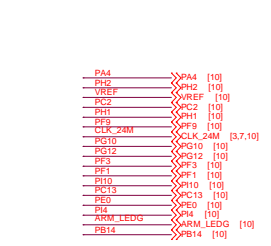
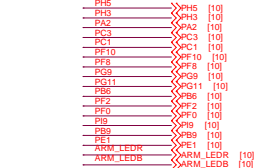
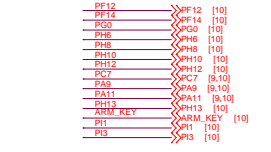
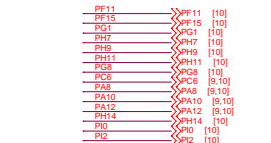
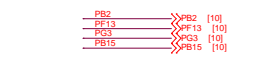
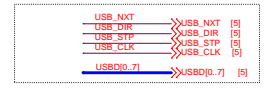
PS Signal



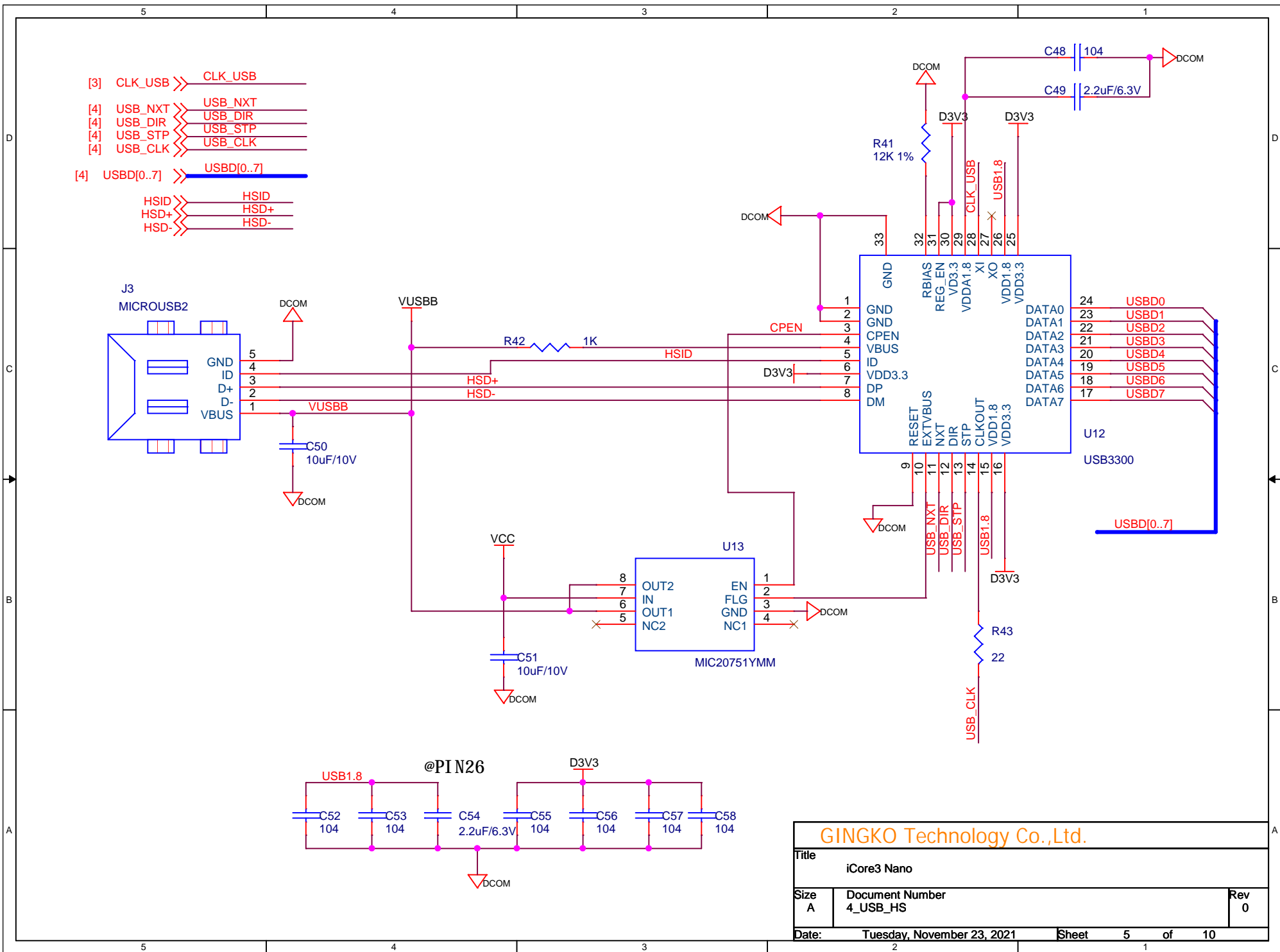
Ethernet



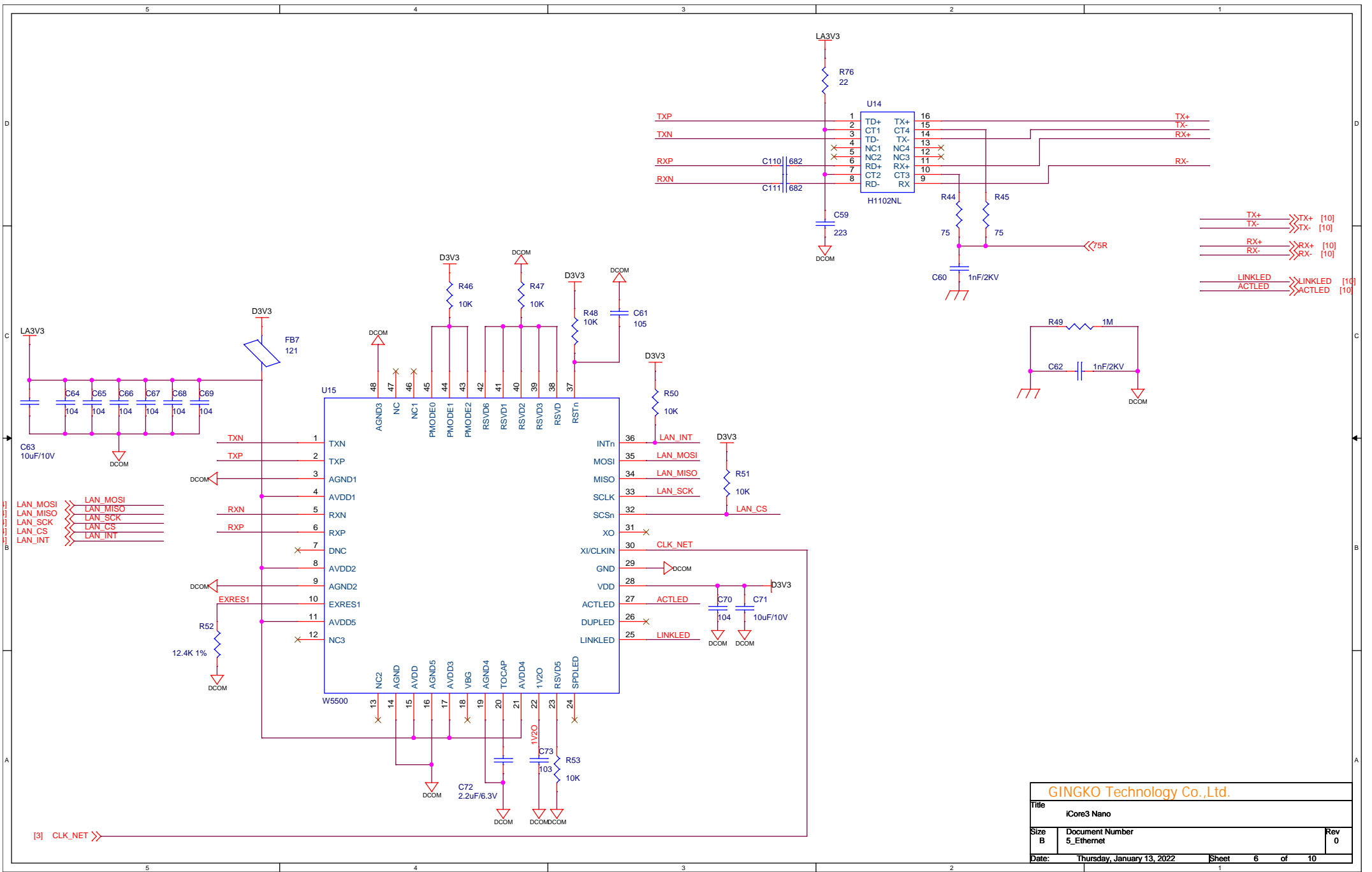
USB OTG HS



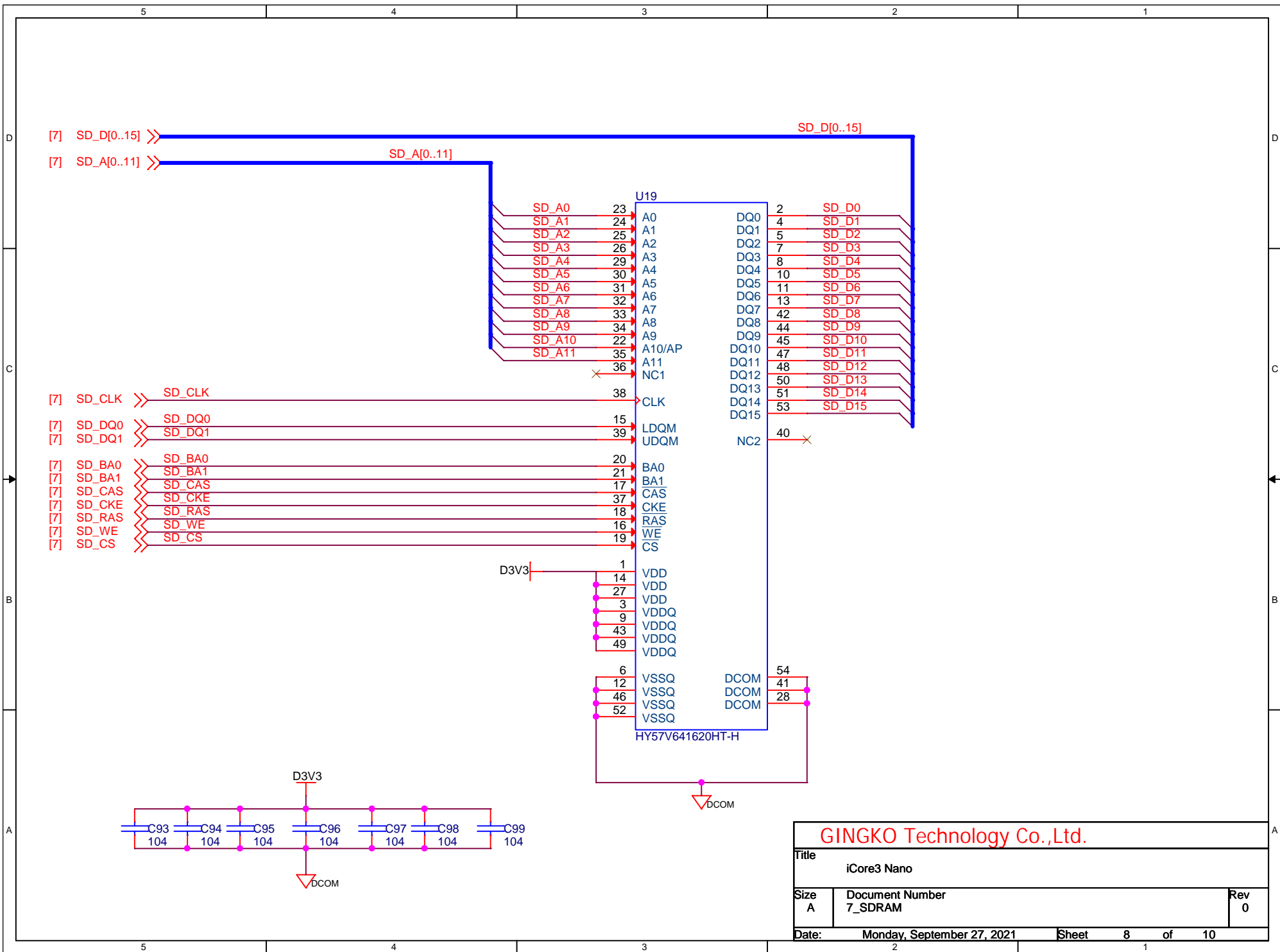
IO 68



GINGKO Technology Co.,Ltd.		
Title iCore3 Nano		
Size A	Document Number 4_USB_HS	Rev 0
Date:	Tuesday, November 23, 2021	Sheet 5 of 10

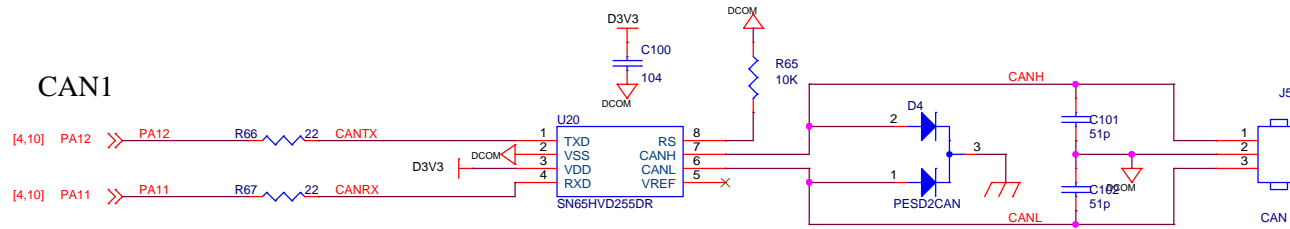


GINGKO Technology Co.,Ltd.		
Title	iCore3 Nano	
Size	Document Number	Rev
B	5_Ethernet	0
Date:	Thursday, January 13, 2022	Sheet 6 of 10

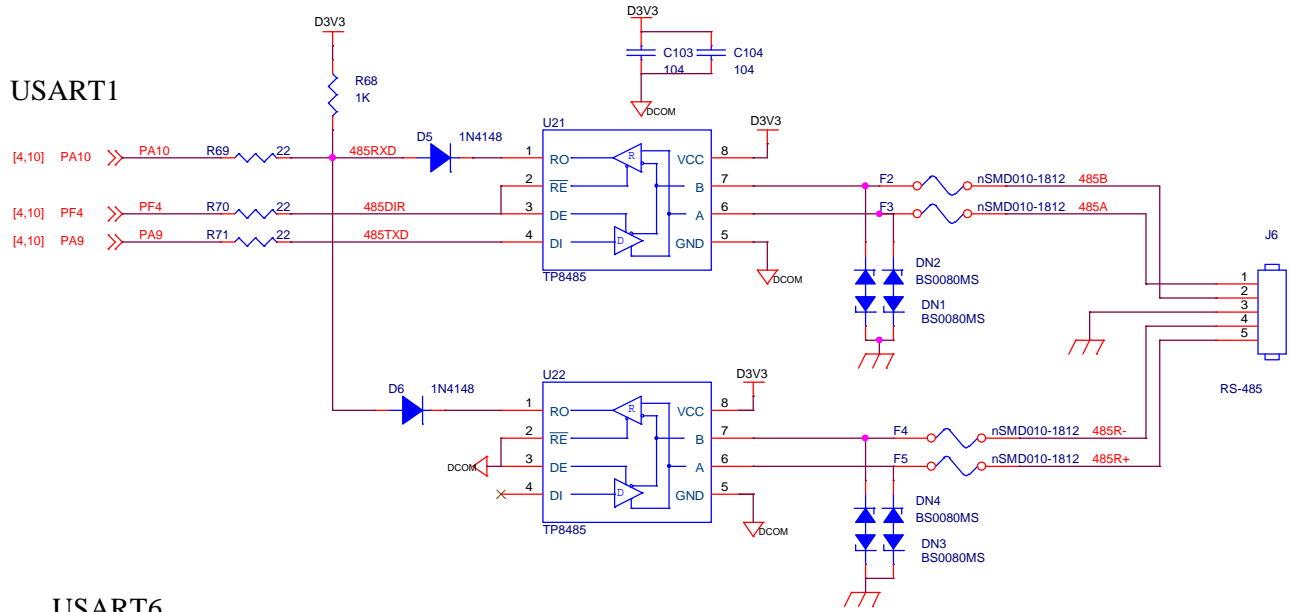


GINGKO Technology Co.,Ltd.		
Title iCore3 Nano		
Size A	Document Number 7_SDRAM	Rev 0
Date:	Monday, September 27, 2021	Sheet 8 of 10

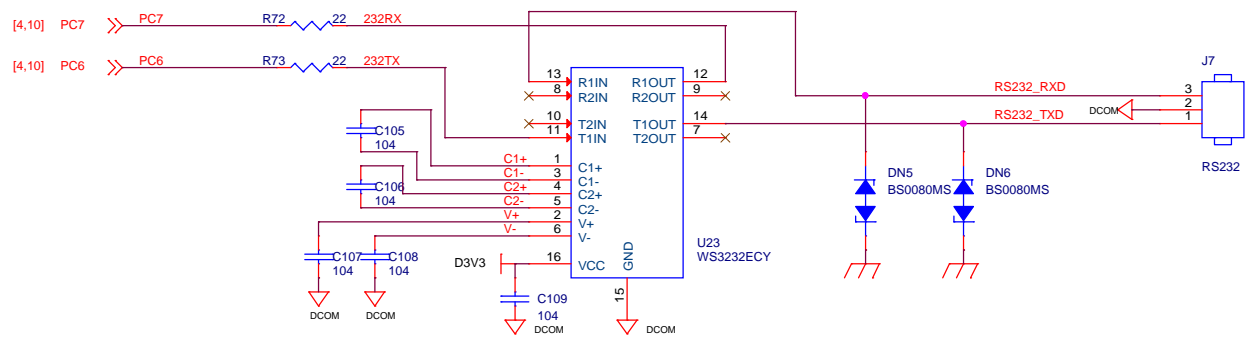
CAN1



USART1



USART6



GINGKO Technology Co.,Ltd.		
Title	iCore3 Nano	
Size	Document Number	Rev
B	8_CAN_232_485	0
Date:	Thursday, January 13, 2022	Sheet 9 of 10

